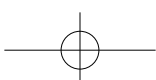
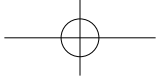


www.charlotte-edwards.co.uk





CHARLOTTE EDWARDS



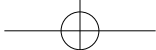
Charlotte Edwards; having graduated from the Royal College of London, now a Designer, Charlotte left these shores for the bright lights of New York. Working in interior design, Charlotte became very successful in offering her skills as a Freelance Designer; many of which were very popular in the Carla Trincanello and Allison Lynd brand. After spending nearly fifteen years developing a reputation as a leading Designer in New York, Charlotte returned to London, needing another challenge. Charlotte began to focus more on developing her approach of combining fine art and sculpture in practical bathroom furniture design.

A chance meeting at the Milan bathroom trade fair with designer Massimo Farinatti and two former freestanding bath manufacturers, who's combined ideas inspired Charlotte into designing her own freestanding bath range. Designing, producing and delivering the highest quality products is integral to the Charlotte Edwards image and company mission. An innovator in the industry, Charlotte creates luxurious and minimalist designs of superior quality.

Charlotte Edwards is the definitive British luxury bathroom company, passionate about product design and developing bathroom products for the home.

In early 2014 Charlotte will be launching her new collection of ceramic bathroom products, along with her exclusive range of brassware that will include freestanding taps and basin taps.

For your inspiration browse through our brochure to discover the Charlotte Edwards portfolio of freestanding baths, the envy of all bathroom retailers. Charlotte now offers her very own bespoke design for individually commissioned baths.






Admiralty



Contemporary Admiralty Bath

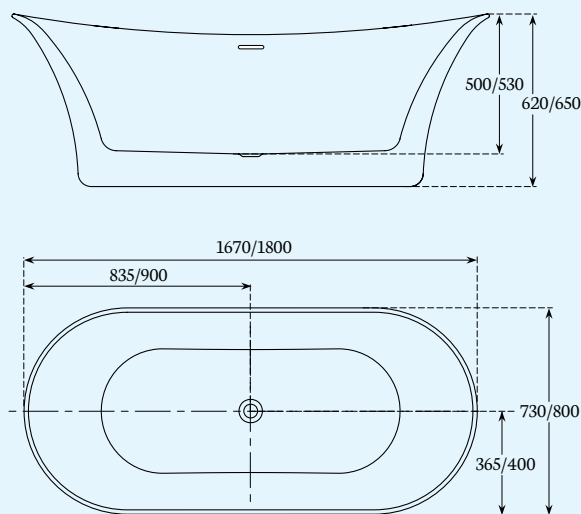
- Hand-made using two pieces of 5mm sanitary grade acrylic sheets
- For enhanced water heat retention the acrylic is coated with thermal sheets
- Acrylic is easy to clean and maintain using warm soapy water

Specification

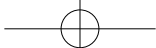
-  Available in two sizes:
L1670 x W730 x H620mm
L1800 x W800 x H650mm
-  150/200 Litres to Overflow
-  37/55kg Without Water (Approx.)

Waste Information:
Integrated Slotted Waste

www.charlotte-edwards.co.uk






* Measurements are in mm unless otherwise stated and may change without prior notice. Our products are constructed within a tolerance of +/- 5mm. Dimensions may vary due to the handmade process of manufacturing the baths.



Contemporary Olympia Bath

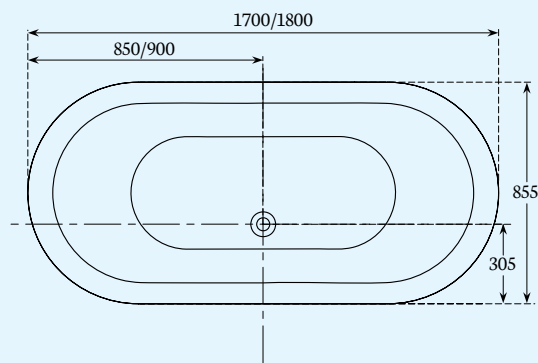
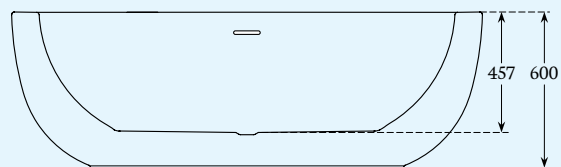
- Hand-made using two pieces of 5mm sanitary grade acrylic sheets
- For enhanced water heat retention the acrylic is coated with thermal sheets
- Acrylic is easy to clean and maintain using warm soapy water

Specification

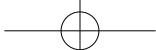
-  Available in two sizes:
L1700 x W855 x H600mm
L1800 x W855 x H600mm
-  200/220 Litres to Overflow
-  45/50kg Without Water (Approx.)

Recommended Waste:
Concealed Pop-up or Chain Waste

www.charlotte-edwards.co.uk



* Measurements are in mm unless otherwise stated and may change without prior notice. Our products are constructed within a tolerance of +/- 5mm. Dimensions may vary due to the handmade process of manufacturing the baths.






Belgravia



Contemporary Belgravia Bath

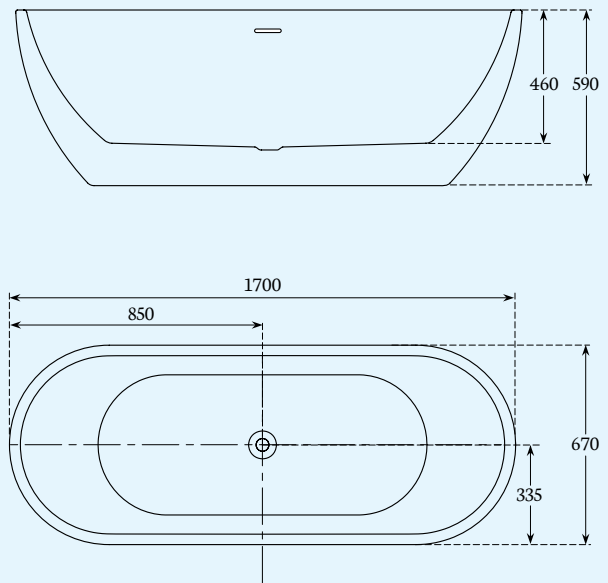
- Hand-made using two pieces of 5mm sanitary grade acrylic sheets
- For enhanced water heat retention the acrylic is coated with thermal sheets
- Acrylic is easy to clean and maintain using warm soapy water

Specification

-  **L1700 x W670 x H590mm**
-  **185 Litres to Overflow**
-  **53kg Without Water (Approx.)**

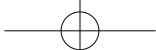
Waste Information:

Integrated Slotted Waste



* Measurements are in mm unless otherwise stated and may change without prior notice. Our products are constructed within a tolerance of +/- 5mm. Dimensions may vary due to the handmade process of manufacturing the baths.




www.charlotte-edwards.co.uk



Contemporary Richmond Bath

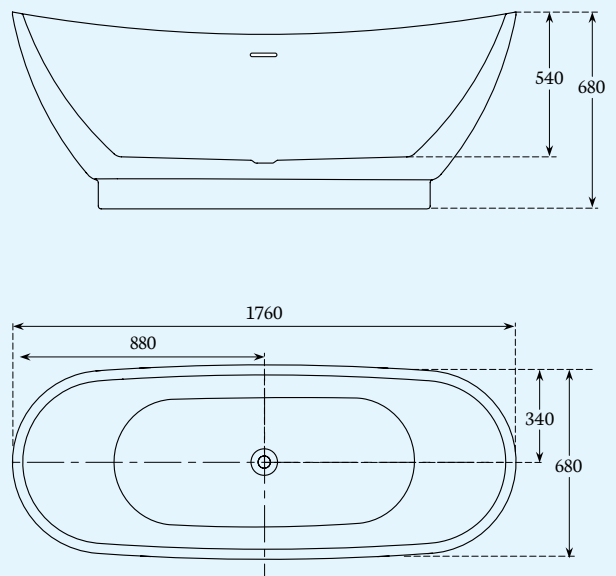
- Hand-made using two pieces of 5mm sanitary grade acrylic sheets
- For enhanced water heat retention the acrylic is coated with thermal sheets
- Acrylic is easy to clean and maintain using warm soapy water

Specification

-  **L1760 x W680 x H680mm**
-  **170 Litres to Overflow**
-  **50kg Without Water (Approx.)**

Waste Information:
Integrated Slotted Waste

www.charlotte-edwards.co.uk






* Measurements are in mm unless otherwise stated and may change without prior notice. Our products are constructed within a tolerance of +/- 5mm. Dimensions may vary due to the handmade process of manufacturing the baths.

Mayfair

 Contemporary Mayfair Bath

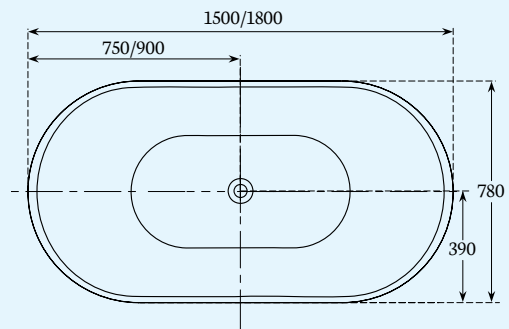
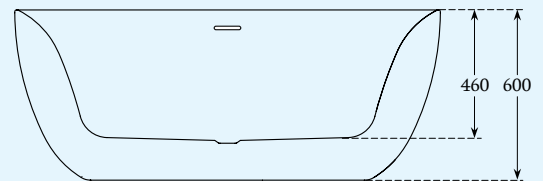
- Hand-made using two pieces of 5mm sanitary grade acrylic sheets
- For enhanced water heat retention the acrylic is coated with thermal sheets
- Acrylic is easy to clean and maintain using warm soapy water

Specification

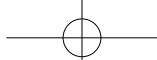
-  Available in two sizes:
L1500 x W780 x H600mm
L1800 x W780 x H600mm
-  165/240 Litres to Overflow
-  37/50kg Without Water (Approx.)

Waste Information:
Integrated Slotted Waste

www.charlotte-edwards.co.uk



* Measurements are in mm unless otherwise stated and may change without prior notice. Our products are constructed within a tolerance of +/- 5mm. Dimensions may vary due to the handmade process of manufacturing the baths.






Harrow

Contemporary Harrow Bath

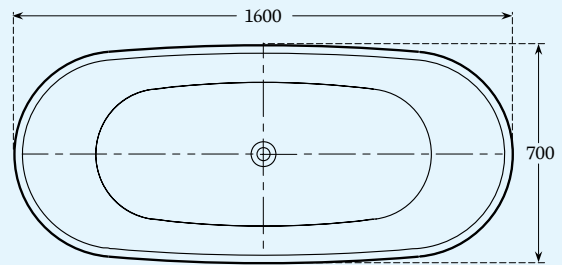
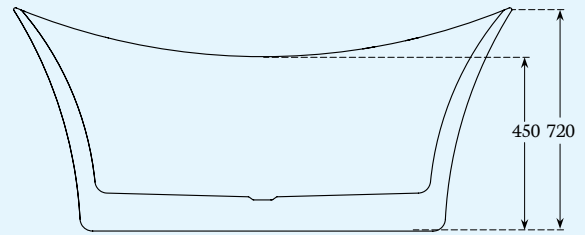
- Hand-made using two pieces of 5mm sanitary grade acrylic sheets
- For enhanced water heat retention the acrylic is coated with thermal sheets
- Acrylic is easy to clean and maintain using warm soapy water

Specification

-  **L1600 x W700 x H720mm**
-  **200 Litres to Overflow**
-  **39kg Without Water (Approx.)**

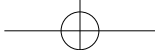
Waste Information:

Integrated Slotted Waste



* Measurements are in mm unless otherwise stated and may change without prior notice. Our products are constructed within a tolerance of +/- 5mm. Dimensions may vary due to the handmade process of manufacturing the baths.




www.charlotte-edwards.co.uk



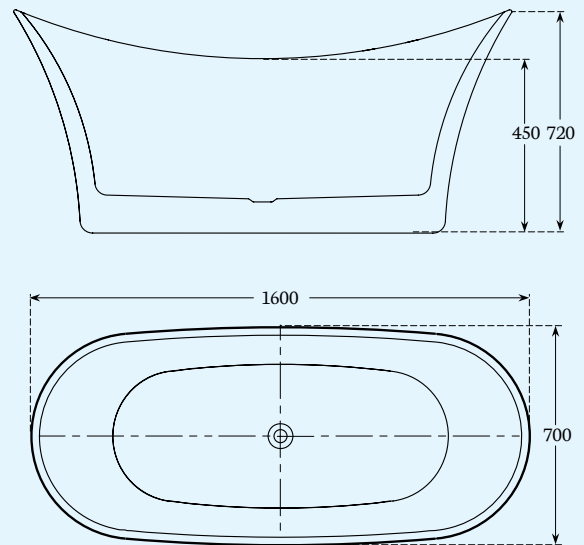
Contemporary Hazlemere Bath

- Hand-made using a 5mm piece of white and a 5mm piece of black sanitary grade acrylic sheets
- For enhanced water heat retention the acrylic is coated with thermal sheets
- Acrylic is easy to clean and maintain using warm soapy water

Specification

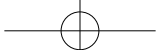
-  **L1600 x W700 x H720mm**
-  **200 Litres to Overflow**
-  **39kg Without Water (Approx.)**

Waste Information:
Integrated Slotted Waste



* Measurements are in mm unless otherwise stated and may change without prior notice. Our products are constructed within a tolerance of +/- 5mm. Dimensions may vary due to the handmade process of manufacturing the baths.

www.charlotte-edwards.co.uk






Grosvenor



Contemporary Grosvenor Bath

- Hand-made using two pieces of 5mm sanitary grade acrylic sheets
- For enhanced water heat retention the acrylic is coated with thermal sheets
- Acrylic is easy to clean and maintain using warm soapy water

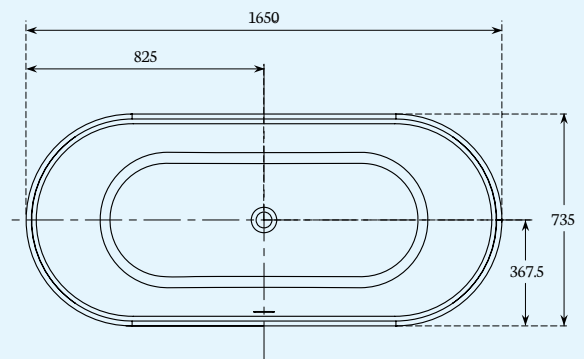
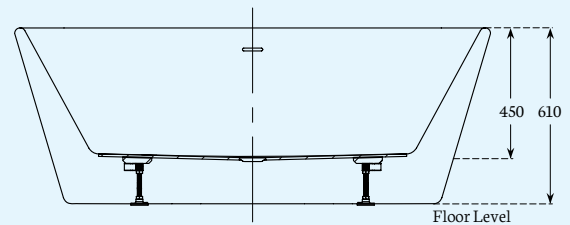
Specification

-  **L1650 x W735 x H610mm**
-  **190 Litres to Overflow**
-  **55kg Without Water (Approx.)**

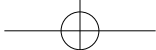
Waste Information:

Integrated Slotted Waste

www.charlotte-edwards.co.uk






* Measurements are in mm unless otherwise stated and may change without prior notice. Our products are constructed within a tolerance of +/- 5mm. Dimensions may vary due to the handmade process of manufacturing the baths.



Contemporary Strand Bath

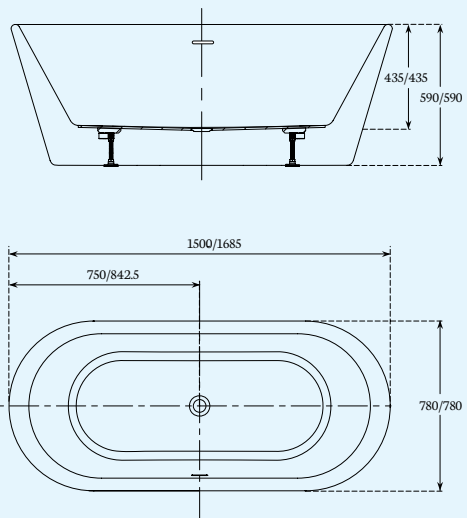
- Hand-made using two pieces of 5mm sanitary grade acrylic sheets
- For enhanced water heat retention the acrylic is coated with thermal sheets
- Acrylic is easy to clean and maintain using warm soapy water

Specification

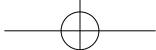
-  Available in two sizes:
L1500 x W780 x H590mm
L1685 x W780 x H590mm
-  185/195 Litres to Overflow
-  40/45kg Without Water (Approx.)

Recommended Waste:
Concealed Pop-up or Chain Waste

www.charlotte-edwards.co.uk



* Measurements are in mm unless otherwise stated and may change without prior notice. Our products are constructed within a tolerance of +/- 5mm. Dimensions may vary due to the handmade process of manufacturing the baths.






Stratford

Contemporary Stratford Bath

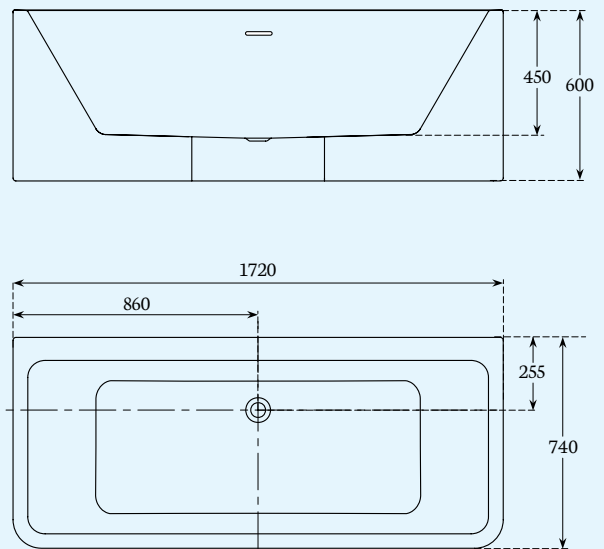
- Hand-made using two pieces of 5mm sanitary grade acrylic sheets
- For enhanced water heat retention the acrylic is coated with thermal sheets
- Acrylic is easy to clean and maintain using warm soapy water

Specification

-  **L1720 x W740 x H600mm**
-  **210 Litres to Overflow**
-  **60kg Without Water (Approx.)**

Recommended Waste:
Concealed Pop-up or Chain Waste

www.charlotte-edwards.co.uk



* Measurements are in mm unless otherwise stated and may change without prior notice. Our products are constructed within a tolerance of +/- 5mm. Dimensions may vary due to the handmade process of manufacturing the baths.






Shard



Contemporary Shard Bath

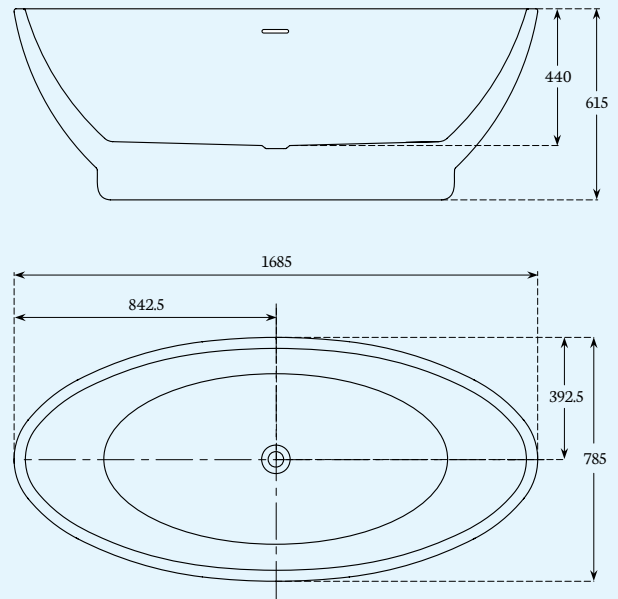
- Hand-made using two pieces of 5mm sanitary grade acrylic sheets
- For enhanced water heat retention the acrylic is coated with thermal sheets
- Acrylic is easy to clean and maintain using warm soapy water

Specification

-  **L1685 x W785 x H615mm**
-  **205 Litres to Overflow**
-  **65kg Without Water (Approx.)**

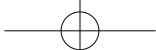
Waste Information:

Integrated Slotted Waste



* Measurements are in mm unless otherwise stated and may change without prior notice. Our products are constructed within a tolerance of +/- 5mm. Dimensions may vary due to the handmade process of manufacturing the baths.




www.charlotte-edwards.co.uk



Contemporary Portobello Bath

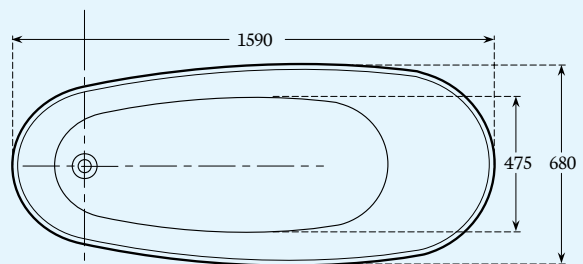
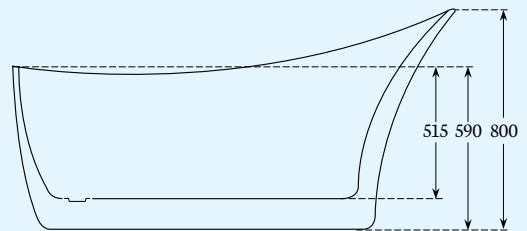
- Hand-made using two pieces of 5mm sanitary grade acrylic sheets
- For enhanced water heat retention the acrylic is coated with thermal sheets
- Acrylic is easy to clean and maintain using warm soapy water

Specification

-  **L1600 x W705 x H775mm**
-  **200 Litres to Overflow**
-  **39kg Without Water (Approx.)**

Waste Information:

Integrated Slotted Waste



* Measurements are in mm unless otherwise stated and may change without prior notice. Our products are constructed within a tolerance of +/- 5mm. Dimensions may vary due to the handmade process of manufacturing the baths.




www.charlotte-edwards.co.uk



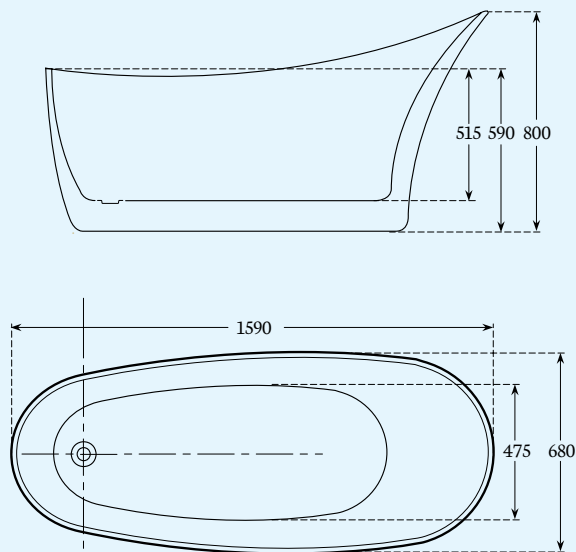
Contemporary Swanley Bath

- Hand-made using a 5mm piece of white and a 5mm piece of black sanitary grade acrylic sheets
- For enhanced water heat retention the acrylic is coated with thermal sheets
- Acrylic is easy to clean and maintain using warm soapy water

Specification

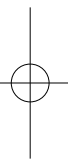
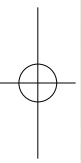
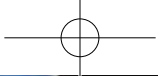
-  L1600 x W705 x H775mm
-  200 Litres to Overflow
-  39kg Without Water (Approx.)

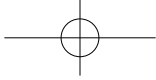
Waste Information:
Integrated Slotted Waste



* Measurements are in mm unless otherwise stated and may change without prior notice. Our products are constructed within a tolerance of +/- 5mm. Dimensions may vary due to the handmade process of manufacturing the baths.

www.charlotte-edwards.co.uk





CHARLOTTE EDWARDS

LONDON

Signature

Charlotte Edwards Bathrooms Limited.
43 Berkeley Square, Mayfair, Westminster, London W1J 5FJ
Tel. + 44 (0) 845 544 2353 | **Fax.** + 44 (0) 0845 544 2363
Email. info@charlotte-edwards.co.uk
www.charlotte-edwards.co.uk

All products are manufactured with  approval and comply with EU legislation
Copyright © 2013. Charlotte Edwards Bathrooms Ltd. All rights reserved.